

FP400 Series

Elbow Arm

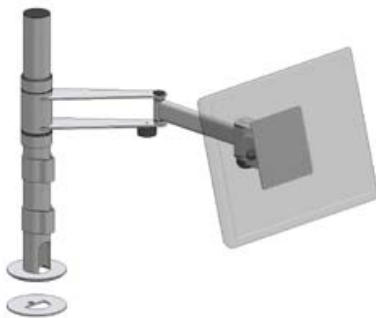


FP420

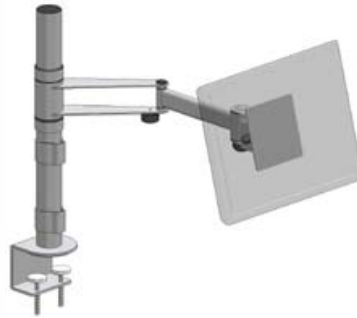
The FP400 series provides a range of articulating height adjustable flat panel monitor mounts.

- Extension of up to 400mm
- Finished in Light Grey, Black or Silver
- All stands comply to VESA standard
- Custom options available

WWW.FP400SERIES.COM



FP410



FP420



FP430

Ergonomic Solutions is committed to ensuring the workplace is a safe environment with adequate space to carry the full range of work tasks.

It is widely recommended that flat panel monitors should have a good range of tilt, rotation and height adjustment to encourage the user to find the most comfortable working position for their individual needs.

The FP400 series provides an articulating, height adjustable range of flat panel monitor mounts. The arm can be set at the desired height and the monitor can be positioned almost anywhere using the articulation available.

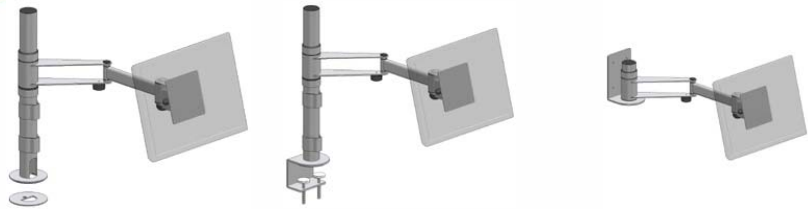
Other mounting options are available on request along with other colours, height ranges and proprietary monitor mounts.

Please call us for a quotation.



FP400 Series

Elbow Arm



WWW.FP400SERIES.COM

Specifications	Single Bolt/Grommet	Desk Clamp	Wall Mount
Part number VESA 75/100	FP410	FP420	FP430
Maximum Extension	400mm	400mm	400mm
Minimum height ^{note 1}	230mm	230mm	n/a
Maximum height ^{note 1}	390mm	390mm	n/a
Height range ^{note 1}	160mm	160mm	n/a
Height adjustment method	Manual	Manual	n/a
Rotation	360°	360°	Dependant on Monitor Size
Tilt / forward	5°	5°	5°
Tilt / backward	No limit	No limit	Dependant on Monitor Size
Max monitor weight	7.5kg	7.5kg	7.5kg
Footprint	Ø100mm	w100mm x d70mm	w100mm x d50mm
Max counter/desk thickness	42mm ^{note 2}	60mm	n/a
Minimum hole size	10mm	n/a	n/a
Maximum hole size	80mm	n/a	n/a
Non-marking base	Yes	Yes	n/a
Cable management clip	2	2	n/a
VESA standard screws	4	4	4
Warranty	5 years	5 years	5 years

Notes:

1. Measured from desk / counter to centre of VESA mounting bracket and dependant on monitor size
2. This can be increased by use of longer bolt—please ask for details

Mounting Options:

All stands come as VESA 75 with a VESA 100 adaptor plate as standard

Colour Options:

Light Grey, Black or Silver (products are powder coated with a textured paint finish, silver is not textured)

Proprietary Monitor Mounts: Please ask for details

<p>UK Tel: +44 1372 728872 Fax: +44 1372 726699 info@ergonomic-solutions.co.uk</p>	<p>Denmark Tel: +45 96 34 66 33 Fax: +45 96 34 66 14 info@ergonomic-solutions.dk</p>	<p>Finland Tel: +358 9 323 9000 Fax: +358 10 296 17000 sh@ergonomic-solutions.fi</p>
<p>France Tel: +33 1 40 83 12 40 Fax: +33 1 46 30 83 24 bruno@ergonomic-solutions.net</p>	<p>Germany Tel: +49 521 986 24 0 Fax: +49 521 986 24 29 info@ergonomic-solutions.de</p>	<p>Sweden Tel: +46 8 598 510 12 Fax: +46 8 598 510 40 info@ergonomic-solutions.dk</p>
<p>Spain Tel: +34 91 185 3141 Fax: +34 91 185 3111 aa@ergonomic-solutions.net</p>	<p>AUTHORISED DISTRIBUTORS</p> <p>Ireland: Euergo Systems Tel: +353 5786 71231 Switzerland: HERS Tel: +41 61 906 9999 United States: Seamark Int'l LLC Tel: +1 603 546 0100</p>	

